



## WINDOW SILL

WINDOW FRAME PROFILE MAY VARY  
REFER TO WINDOW MANUFACTURER'S  
INSTALLATION AND FLASHING DETAILS

BEDDING SEAL UNDER WINDOW FIN  
(IF REQUIRED PER WINDOW  
MANUFACTURER'S INSTRUCTIONS)

BACKER ROD AND SEALANT

CASING BEAD (OPTIONAL)

$\frac{3}{8}$  IN.

SILL FLASHING UNDER WINDOW FIN.  
LAP OVER WRB 4 IN. MINIMUM

CORONADO STONE SILL  
WITH SLOPED TOP

MORTAR SETTING BED

MORTAR JOINT (WHERE USED)

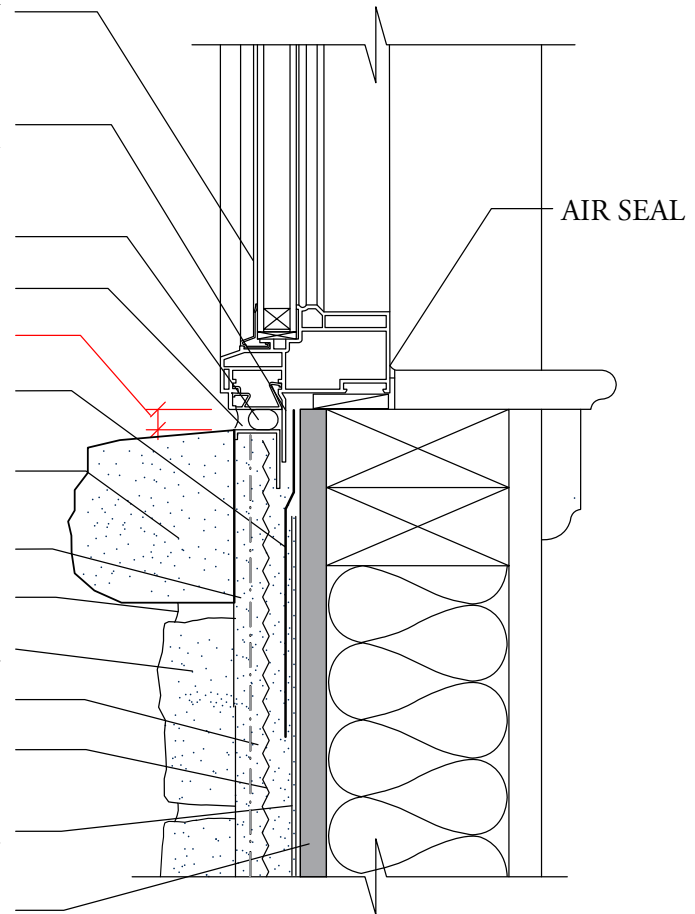
CORONADO STONE VENEER

MORTAR SCRATCH COAT

GALVANIZED METAL LATH  
(2.5 OR 3.4 LBS)

WATER RESISTANT BARRIER  
(2 LAYERS)

SHEATHING



ROUGH OPENINGS MUST BE PROPERLY FLASHED PRIOR TO WINDOW INSTALLATION.  
TUCK WATER RESISTIVE BARRIER UNDER FLASHING AT SILL. SILL FLASHING SHOULD  
DRAIN TO THE EXTERIOR OF PRIMARY WRB OR TO EXTERIOR OF CORONADO STONE VENEER.

### NOT TO SCALE

**BUILDING CODES:** CHECK WITH YOUR LOCAL BUILDING AUTHORITIES TO ENSURE THAT YOUR PROJECT COMPLIES WITH ALL STATE AND LOCAL BUILDING CODES.

**MORTAR:** A POLYMER MODIFIED MORTAR SHOULD BE USED FOR ALL DRY-STACKED APPLICATIONS, INSTALLATIONS IN FREEZE/THAW ENVIRONMENTS AND FOR SOME LARGER/SPECIALTY STONE PRODUCTS.

**ADDITIONAL INFORMATION:** FOR STANDARD STONE INSTALLATIONS PLEASE REVIEW OUR SURFACE PREPARATION TABLE ON PAGE 4 OF OUR STANDARD STONE INSTALLATION GUIDE.